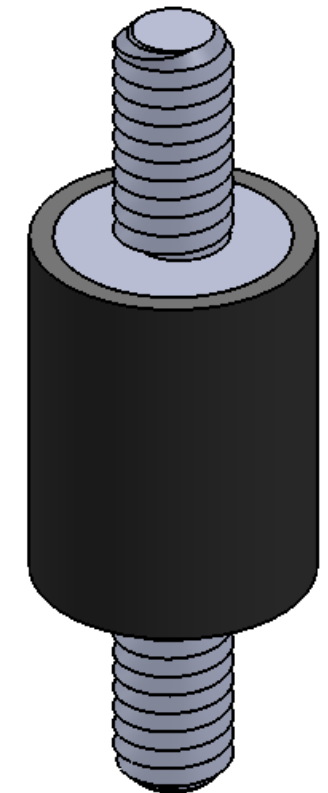
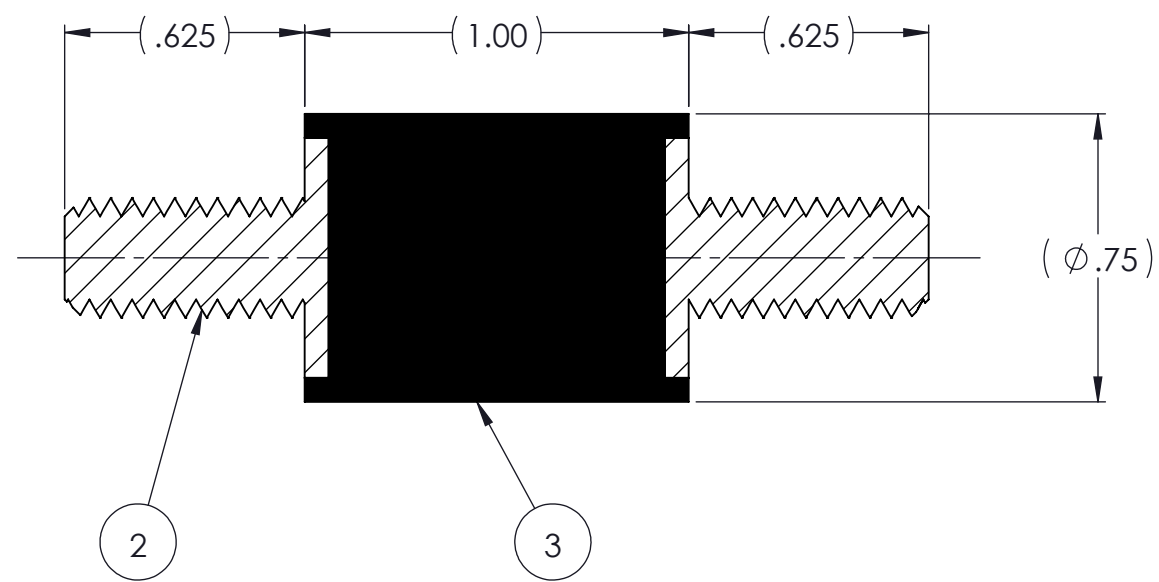
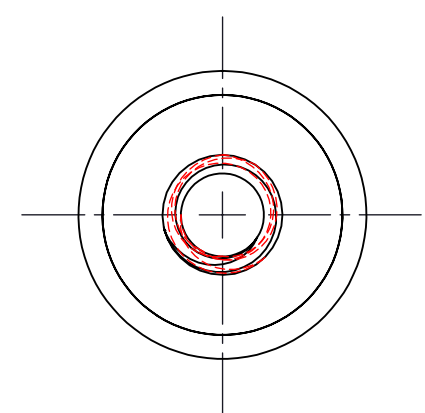


REVISIONS			
REV.	DESCRIPTION	DATE	APPROVED
1	INITIAL RELEASE OF DRAWING	10/7/2014	BS

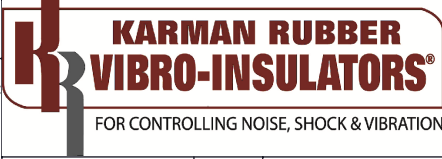


NOTES:

- 1 MATERIAL: ELASTOMER AND DUROMETER OF 40, 50, 60 OR 70 TO BE SPECIFIED.
- 2 ALL DIMENSIONS ARE REFERENCE.
- 3 AVAILABLE WITH THREADS OF 5/16-18 UNC.

PROPRIETARY AND CONFIDENTIAL		SIGNATURE	DATE
THE INFORMATION CONTAINED IN THIS DRAWING IS THE SOLE PROPERTY OF KARMAN RUBBER. ANY REPRODUCTION IN PART OR AS A WHOLE WITHOUT THE WRITTEN PERMISSION OF KARMAN RUBBER IS PROHIBITED.	DRAWN	B. SENEAL	10/07/2014
	CHECK	S. BROWN	10/07/2014
	ENGR	B. SENEAL	10/07/2014
	QA		
	STRESS		
	APPR		

UNLESS OTHERWISE SPECIFIED:
 DIMENSIONS ARE IN INCHES
 TOLERANCES:
 .X =
 .XX = ± 0.031
 .XXX =
 ANGLES = ± 1°
 INTERPRET GEOMETRIC TOLERANCING PER: ASME Y14.5M-1994



TITLE: K45 SERIES VIBRO-INSULATOR WWW.KARMAN.COM		DWG. NO. K45	REV 1
SIZE B	CAGE CODE	SCALE: 2:1	WEIGHT: .75 OZ.
DO NOT SCALE DRAWING		SHEET 1 OF 1	

AR	ELASTOMER	K45-3		3
1	MK450	MK450		2
	K45	K45		1
QTY.	DESCRIPTION	PART NUMBER	MATERIAL OR NOTES	ITEM